



KULTHORN KIRBY PUBLIC CO., LTD.

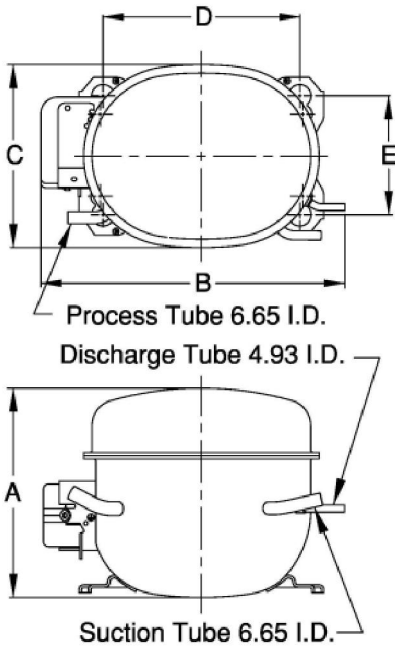
TECHNICAL SPECIFICATION

UNCONTROLLED COPY

HERMETIC COMPRESSOR

AE 2418E
BOM ID 26K-A0
High Torque Start

PRINCIPAL DIMENSIONS - mm



| | |
|---|-----|
| A | 212 |
| B | 265 |
| C | 155 |
| D | 165 |
| E | 102 |

ELECTRICAL : 220-240 Volt. 50 Hz. 1 Phase

Nominal Performance

| | | | |
|--------------------|------|----------------------|-----------|
| Cooling Capacity : | 470 | Watts (1,604) | BTU/Hr |
| | 404 | Kcal/Hr | |
| Power Input : | 435 | Watts | |
| Lock Rotor Amps : | 17 | Amps | |
| Rated Load Amps : | 2.5 | Amps | |
| COP (EER) : | 1.08 | Watts/Watts (3.69) | BTU/ W-Hr |

Testing Conditions

| | | |
|---------------------------|-------|----|
| Condensing Temperature : | 54.4 | °C |
| Evaporating Temperature : | -23.3 | °C |
| Liquid Temperature : | 32.2 | °C |
| Return Gas Temperature : | 32.2 | °C |
| Ambient Temperature : | 32.2 | °C |

Application

| | | |
|----------------------|----------------|----------------------|
| Evaporating Range : | LBP | @ -30 °C to -12.2 °C |
| Refrigerant : | R22 | |
| Expansion : | Capillary Tube | |
| Compressor Cooling : | Fan | |

Compressor and Motor data

| | |
|-----------------------------------|---------------------------------|
| Compressor Type : | Reciprocating |
| Displacement : | 14.14 cc. |
| Oil Type : | Mineral Oil |
| Oil Charge : | 437 cc. |
| Motor Type : | C.S.R. ; 2 Pole 2880 rpm |
| Voltage Range : | 187 - 264 Volts 50 Hz. |
| Winding Resistance at 25 °C | |
| Start : | 10.00 Ohms |
| Run : | 4.40 Ohms |
| Weight with Oil : | 11.94 Kg. |
| Weight with Oil and Accessories : | 12.34 Kg. |

Electrical Components

Motor Protector :

| | |
|---------------------------|-------------------|
| Type : | External 3/4" |
| Model Number : | KME 660-7/C |
| Open / Close : | 90-100 / 70-52 °C |
| 1st Cycle trip at 25 °C : | 10.2 Amps |

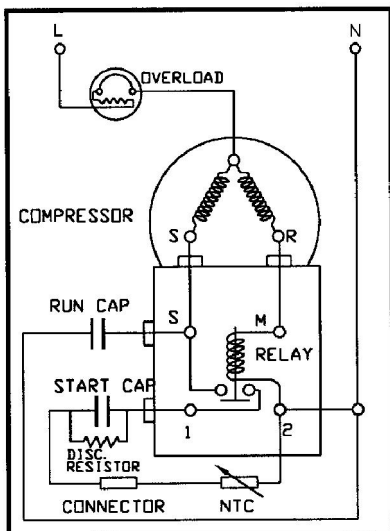
Motor Starter :

| | |
|---------------------------------|-------------------|
| Type : | Current Relay |
| Model Number : | KME 682-16NT |
| Pick Up (max.) : | 7.70 Amps |
| Drop Out(min.) : | 6.75 Amps |
| Terminal Cover : | KMD 901-12 |
| Start Capacitor : | 36-43 μF 330 VAC. |
| Disch. Resistor for Start Cap : | 15000 Ohms 2 W |
| Run Capacitor : | 8 μF 450 VAC. |

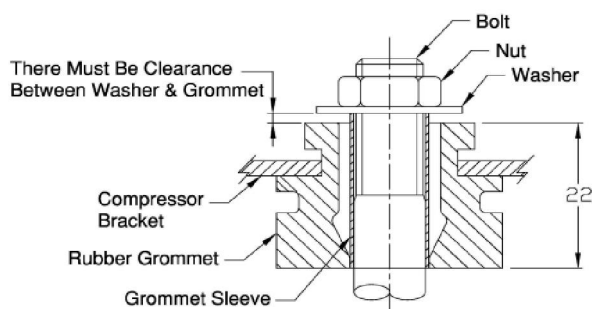
Mounting Kit

| | | |
|------------------|-----------|---------------|
| Rubber Grommet : | KMD 905-3 | Earth Plug : |
| Sleeve Grommet : | KMD 903-2 | Earth Screw : |
| Washer : | KEB 387 | Washer Lock: |

SCHEMATIC WIRING DIAGRAM C.S.R.



MOUNTING KIT



Since we are constantly improving our product ,
the specification are subject to change without notice.

REV. DATE

18-02-13

C / N No.

0108/13